

Adding with Cuisenaire® Rods

Write the missing letter for the color of each rod.
Complete each number sentence.

If W = 1, then...

1.	B																			
	W	Y																		
2.	P																			
		R																		
3.	G																			
		G																		
4.	G																			
		G																		

$$\boxed{1} + \boxed{5} + \boxed{1} = \boxed{7}$$

$$\boxed{} + \boxed{} + \boxed{} = \boxed{}$$

$$\boxed{} + \boxed{} + \boxed{} = \boxed{}$$

$$\boxed{} + \boxed{} + \boxed{} = \boxed{}$$

Recording Addition Sentences

Complete each addition sentence.

If W = 2, then...

1.	G						
	W	W	W				
<hr/>							
2.	G						
	R	W					
<hr/>							
3.	Y						
	W	P					
<hr/>							
4.	Y						
	G		R				

$$\square + \square + \square = \square$$

$$\square + \square = \square$$

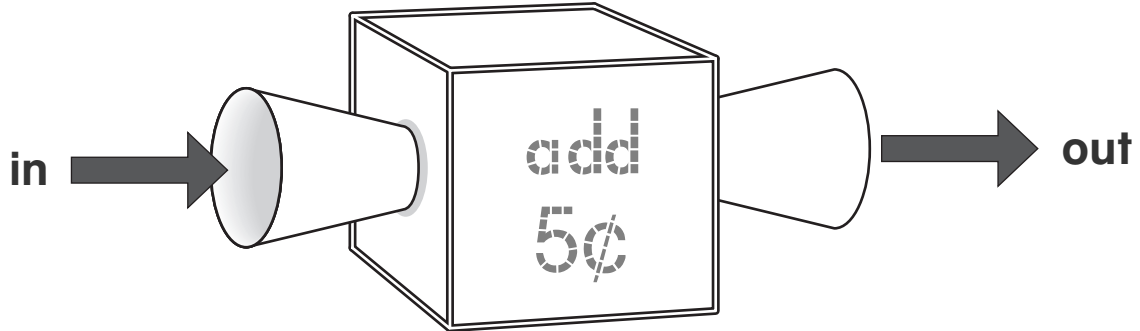
$$\square + \square = \square$$

$$\square + \square = \square$$

Completing Input/Output Tables

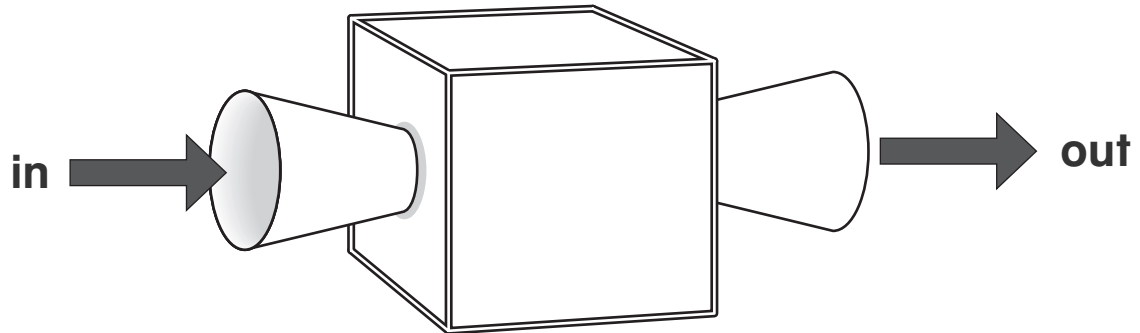
Find a rule. Complete the table.

1.



in	50¢	10¢	45¢			30¢	65¢
out	55¢	15¢	50¢	25¢	80¢		

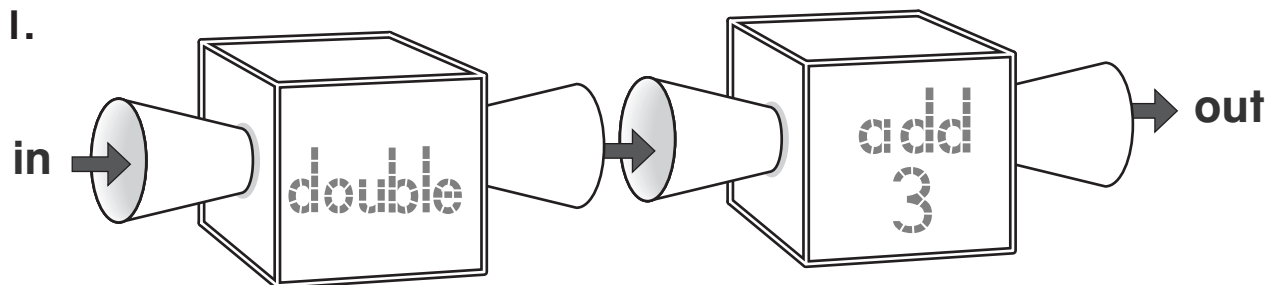
2.



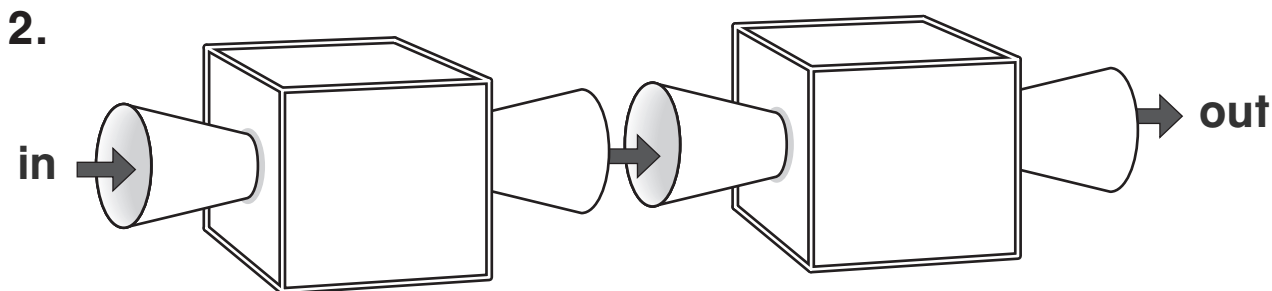
in	9	4	10	14		12	8
out	5	0	6		2		

Using Two Rule Machines

Find a rule. Complete the table.



in	9	2	6	5	1	3	
out	21	7	15				11



in	10	5	9	6	2	4	
out	11	6	10				9

Making Fact Families

Draw a picture. What is the fact family?

1. James has 6 marbles.
2 are black.
The rest are white.

$$\begin{array}{r} 2 + 4 = 6 \\ \hline + \quad = \\ \hline 6 - \quad = 2 \\ \hline 6 - \quad = \\ \hline \end{array}$$

2. There are 7 cups.
5 are filled with milk.
The rest are filled with juice.

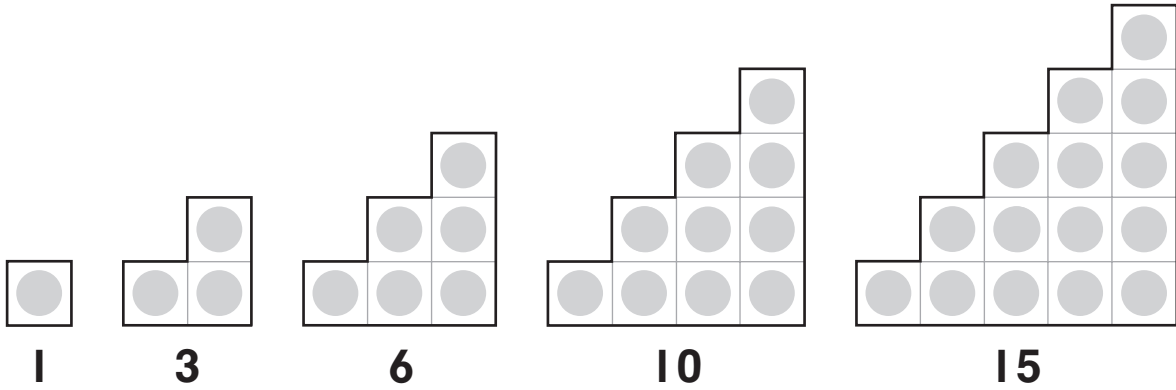
$$\begin{array}{r} + \quad = \\ \hline + \quad = \\ \hline - \quad = \\ \hline - \quad = \\ \hline \end{array}$$

3. Lynn has 8 balls.
4 of them have stripes.
The rest have spots.

$$\begin{array}{r} + \quad = \\ \hline + \quad = \\ \hline - \quad = \\ \hline - \quad = \\ \hline \end{array}$$

Fact Families with Stair-Step Numbers

Choose two Stair-Step Numbers to make a square.



Write the fact family.

1.

1	+	3	=	4
3	+	1	=	4
4	-	1	=	3
-		=		

2.

	+		=	
	+	4	=	
	-		=	
-		=		

3.

	+		=	
	+		=	
	-		=	
-		=		

4.

	+		=	
	+		=	
	-		=	
-		=		

Writing Stories for Fact Families

What is missing?

Write a story to match the fact family.

1.

4	+	3	=	7
	+		=	
7	-		=	4
	-		=	

I have 7 fish.

4 of them are blue.

_____ are red.

2.

5	+		=	9
	+		=	
9	-		=	5
	-		=	

3.

3	+		=	
	+		=	
10	-		=	3
	-		=	

Writing Stories for Two-Sentence Fact Families

Write a two-sentence fact family.
Then write a story to match.

1. $\diamond 7 + \diamond 7 = \text{hexagon } 14$

I have 14 marbles.

Half of them are black.

$\text{hexagon} - \diamond = \diamond$

The other 7 are white.

2. $\triangle 9 + \triangle = \square$

$\square - \triangle = \triangle$

3. $\circ + \circ = \square 12$

$\square 12 - \circ = \circ$
