

# Multiplying by Tens

Complete the table.

**1**

$n$	6	5	3	7		9	
$n \times 5$	30	25	15		10		
$n \times 50$	300	250	150				550

**2**

$n$	6	5	3	8		12	
$n \times 3$	18	15	9		21		
$n \times 30$	180	150	90				270

**3**

$n$	6	5	3	8			9
$n \times 6$	36	30	18		42		
$n \times 60$	360	300	180			720	

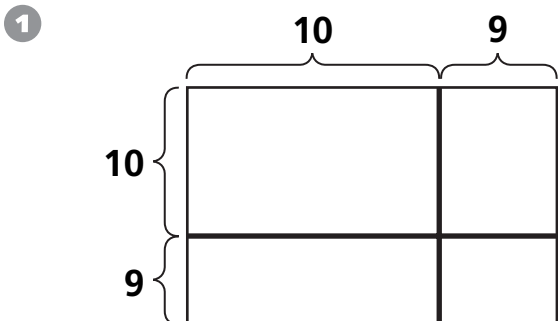


## Test Prep

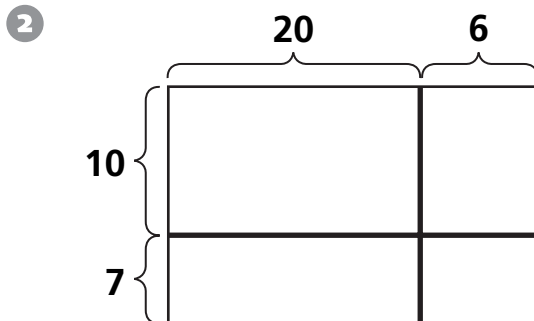
- 4** Which shows the number 6,436 rounded to the nearest ten?
- A. 6,400                      C. 6,430  
B. 6,410                      D. 6,440
- 5** Samir has one \$1 bill. Abby has 3 quarters and 2 dimes. Jacob has 7 pennies, 2 nickels, and 1 quarter. How much money do they have altogether?
- A. \$2.29                      C. \$2.47  
B. \$2.37                      D. \$3.00

# Separating Large Arrays

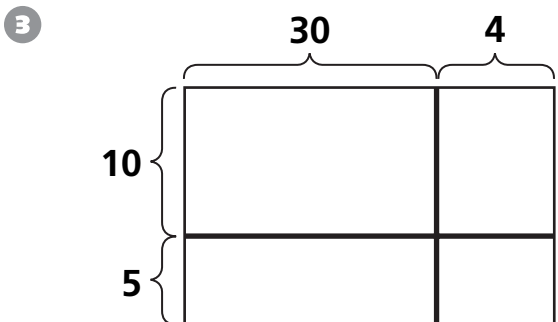
Complete the diagram and find the product.



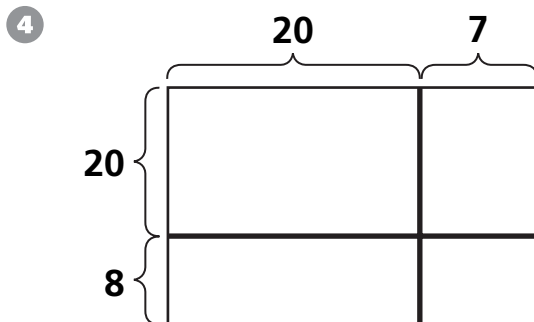
$19 \times 19 = \underline{\hspace{2cm}}$



$26 \times 17 = \underline{\hspace{2cm}}$



$34 \times 15 = \underline{\hspace{2cm}}$



$27 \times 28 = \underline{\hspace{2cm}}$



## Test Prep

5 Sloane wants to share her stickers with her family. She has 40 stickers. She gives 8 stickers to her sister, 5 stickers to her brother, and 6 stickers to her mother. She puts 1 sticker on her cat's collar. What fraction represents Sloane's remaining stickers? Explain how you know.

\_\_\_\_\_

\_\_\_\_\_

\_\_\_\_\_

\_\_\_\_\_

\_\_\_\_\_

# Making a Vertical Record

Find the product. Draw a diagram if it helps.

$$\begin{array}{r} 1 \quad 19 \\ \times 19 \\ \hline \end{array}$$

$$\begin{array}{r} 2 \quad 18 \\ \times 20 \\ \hline \end{array}$$

$$\begin{array}{r} 3 \quad 31 \\ \times 31 \\ \hline \end{array}$$

$$\begin{array}{r} 4 \quad 32 \\ \times 30 \\ \hline \end{array}$$

## Solve.

- 5 Dontel has 20 boxes of tiles with 20 tiles in each box. Each tile has an area of 1 square foot. Does Dontel have enough tiles to cover a room measuring 19 feet by 21 feet?



## Test Prep

- 6 On Saturday, 802 people attended the dog show. On Sunday, 655 people attended the dog show. How many more people attended the dog show on Saturday than on Sunday?
- A. 143  
B. 147  
C. 153  
D. 257

# Multiplying Three-Digit Numbers

Find the products.

<b>1</b> $\begin{array}{r} 200 \\ \times 3 \\ \hline \square \end{array}$	$\begin{array}{r} 80 \\ \times 3 \\ \hline \square \end{array}$	$\begin{array}{r} 9 \\ \times 3 \\ \hline \square \end{array}$	$\begin{array}{r} 289 \\ \times 3 \\ \hline \square \end{array}$	$\begin{array}{r} 290 \\ \times 3 \\ \hline \square \end{array}$
--	---	--	--	--

<b>2</b> $\begin{array}{r} 400 \\ \times 4 \\ \hline \square \end{array}$	$\begin{array}{r} 20 \\ \times 4 \\ \hline \square \end{array}$	$\begin{array}{r} 8 \\ \times 4 \\ \hline \square \end{array}$	$\begin{array}{r} 428 \\ \times 4 \\ \hline \square \end{array}$	$\begin{array}{r} 430 \\ \times 4 \\ \hline \square \end{array}$
--	---	--	--	--

<b>3</b> $\begin{array}{r} 600 \\ \times 5 \\ \hline \square \end{array}$	$\begin{array}{r} 70 \\ \times 5 \\ \hline \square \end{array}$	$\begin{array}{r} 3 \\ \times 5 \\ \hline \square \end{array}$	$\begin{array}{r} 673 \\ \times 5 \\ \hline \square \end{array}$	$\begin{array}{r} 675 \\ \times 5 \\ \hline \square \end{array}$
--	---	--	--	--

**Solve.**

- 4** Cara has 4 ant farms, each with 264 ants.  
If the ants all escape, how many ants are loose?



## Test Prep

- 5** Leon has \$8.00. He buys 2 oranges and 3 juice boxes. Each orange costs 35¢, and each juice box costs 90¢. How much money does Leon have left? Explain how you found your answer.

---



---



---



---



---

# Multiplication and Division Situations

Write related number sentences for each story.

- 1 There are 14 crayons in each box.  
Maya has 8 boxes of crayons.

Maya has  crayons.

<input type="text"/>	×	<input type="text"/>	=	<input type="text"/>
<input type="text"/>	×	<input type="text"/>	=	<input type="text"/>
<input type="text"/>	÷	<input type="text"/>	=	<input type="text"/>
<input type="text"/>	÷	<input type="text"/>	=	<input type="text"/>

- 2 Ben wanted to buy 6 pencils.  
Each pencil costs 26¢.

Ben needs  ¢

<input type="text"/>	×	<input type="text"/>	=	<input type="text"/>
<input type="text"/>	×	<input type="text"/>	=	<input type="text"/>
<input type="text"/>	÷	<input type="text"/>	=	<input type="text"/>
<input type="text"/>	÷	<input type="text"/>	=	<input type="text"/>

- 3 Ana arranged 60 chairs into  
4 equal rows.

There are  chairs in each row.

<input type="text"/>	×	<input type="text"/>	=	<input type="text"/>
<input type="text"/>	×	<input type="text"/>	=	<input type="text"/>
<input type="text"/>	÷	<input type="text"/>	=	<input type="text"/>
<input type="text"/>	÷	<input type="text"/>	=	<input type="text"/>



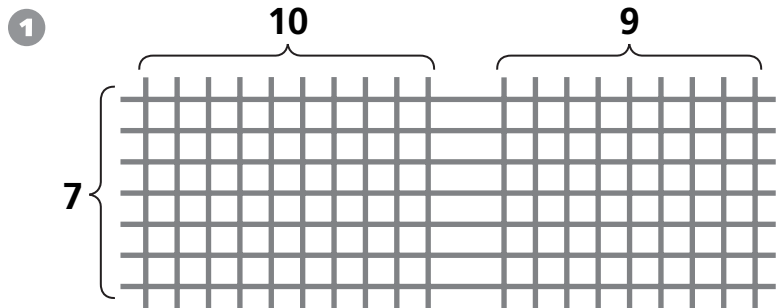
## Test Prep

- 4 There are 12 children in the Dime Club. They each paid 7 dimes for their dues. How much money was collected for dues?

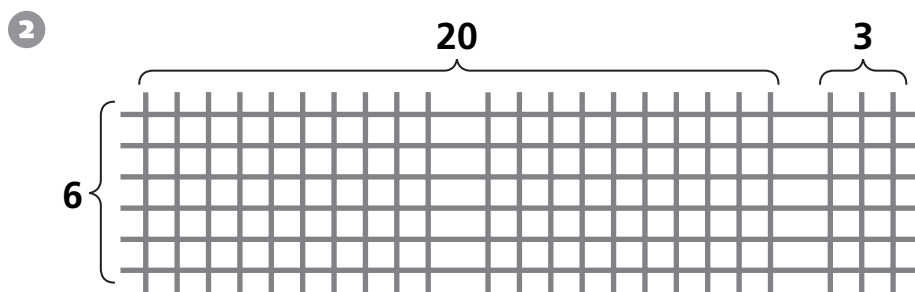
- A. \$840.00
- B. \$84.00
- C. \$8.40
- D. 84¢

# Using Arrays for Division

Fill in the missing numbers.



$$\begin{array}{r} \square + 9 \\ \hline 7 \overline{) 70} + \square \\ \square \div 7 = 19 \end{array}$$



$$\begin{array}{r} 20 + \square \\ \hline 6 \overline{) \square} + 18 \\ \square \div 6 = \square \end{array}$$

**Solve the problem.**

- 3 There are 152 students at the spelling bee. They are in teams of 8 students each. How many teams are there?



## Test Prep

- 4 Sophie wants to buy 3 science books. Each book costs \$3.79. If she uses a coupon for \$1.50 off any science purchase, how much will Sophie's books cost? Explain how you know.

---



---



---



---



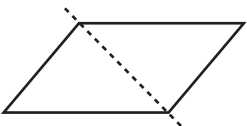
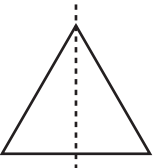
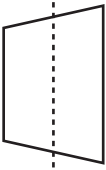
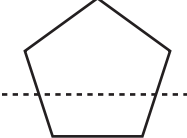
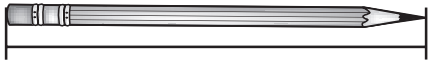
---

## Solving Division Puzzles

- 1 Jenny counted her steps as she walked up 7 floors. She counted 91 steps. How many steps are there for each floor?
- 2 There are 52 weeks in a year. How many days are there in 52 weeks?
- 3 Three notebooks cost \$1.17 (or 117¢). How much will 8 notebooks cost?
- 4 The area of a rectangular field is 153 square yards. If one side of the field measures 9 yards, how many yards of fence do you need to go around the field?



### Test Prep

- 5 Which figure shows a line of symmetry?
- A.  C. 
- B.  D. 
- 6 What is the length of the pencil to the nearest quarter inch?
- 
- A. 2 inches      C.  $2\frac{1}{2}$  inches  
B.  $2\frac{1}{4}$  inches      D.  $2\frac{3}{4}$  inches

# Division with Remainders

- 1 When 232 rubber bands are shared evenly by 9 people . . .



Each person gets \_\_\_\_\_ rubber bands.

There are \_\_\_\_\_ rubber bands left over.

- 2 When 158 rubber bands are shared evenly by 9 people . . .



Each person gets \_\_\_\_\_ rubber bands.

There are \_\_\_\_\_ rubber bands left over.

- 3 When 360 rubber bands are shared evenly by 9 people . . .



Each person gets \_\_\_\_\_ rubber bands.

There are \_\_\_\_\_ rubber bands left over.



## Test Prep

- 4 Kari's mom is bringing orange slices to the game. She cut each orange into 4 slices and brought enough for each of the 20 team members to have 3 slices. How many oranges did she use? Explain how you found your answer.

\_\_\_\_\_

\_\_\_\_\_

\_\_\_\_\_

\_\_\_\_\_